

PRODUCT TECHNICAL SHEET

Collection : **JOE**

Ref. : **8021.--.72**

Bras de douche vertical 30cm avec tête de douche anticalcaire ronde 50mm

Ronde douche 50mm, antikalk, met verticale arm 300mm

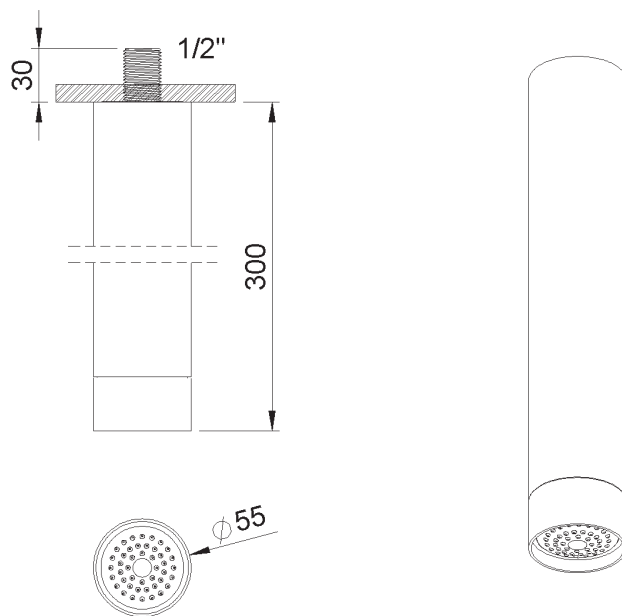
Round shower head anti-lime 50mm with vertical arm 300mm

Picture

Product details



Technical drawing



RA0.V01